

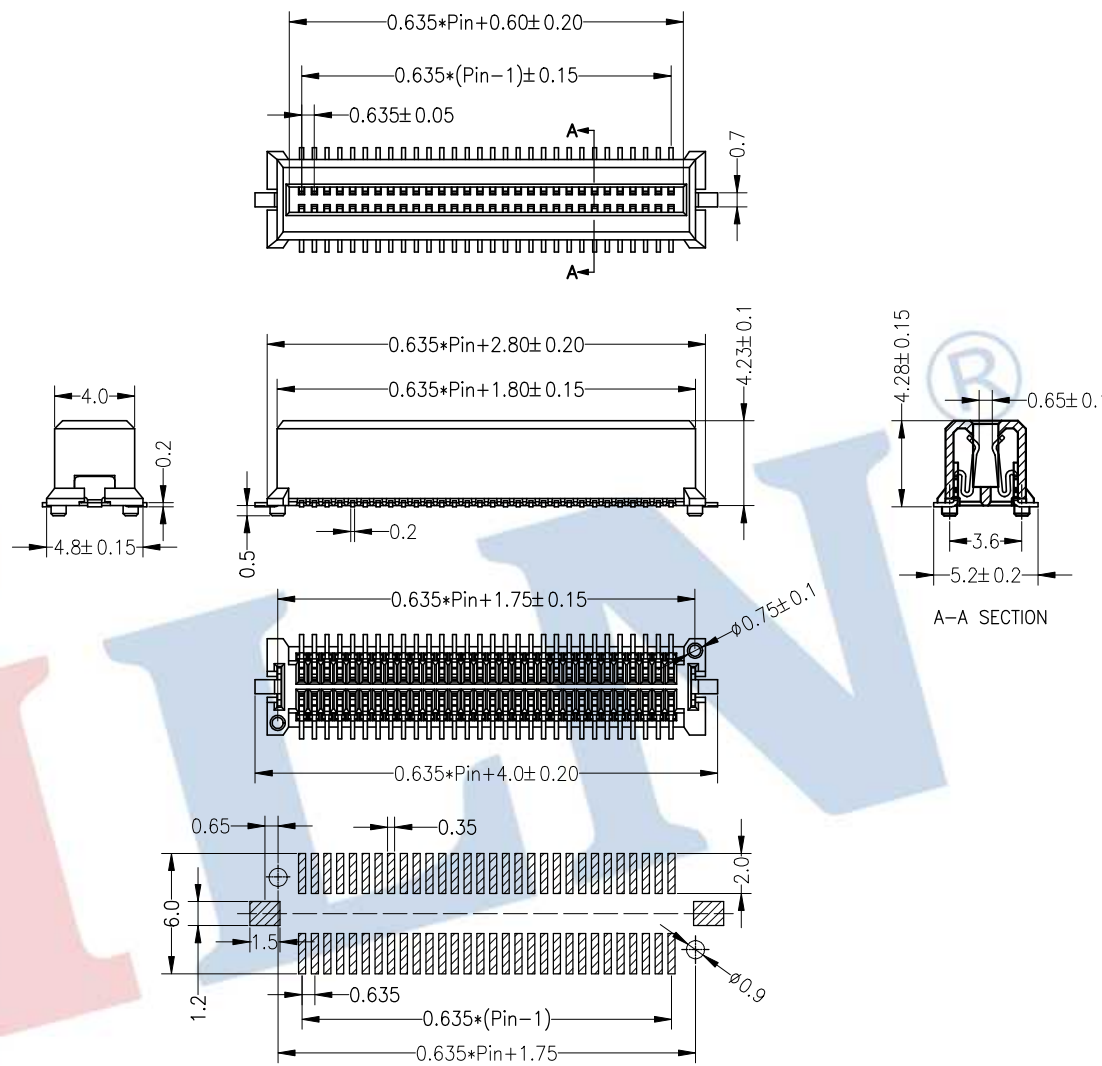
HSF RoHS

SPECIFICATIONS PERFORMANCE

Electical Rating: AC/DC 50V 0.5A
 Contact Resistance: 80mΩ Max
 Insulation Resistance: 500MΩ Min
 Withstand Volt: 500V AC/minute
 Opratng Temperature: -40°C to +105°C

Material

Contact: Phosphor Bronze Gold-Plated
 Housing: LCP UL94V0
 Max.Processing Temp: 230°C for 30-60 seconds
 (260°C for 10 seconds)



Ordering Information

3724 M XXX 043 XX F X 01

F=Female
 M=Male
 No.of pins
 20P~100P
 Plastic Hight
 043=4.28mm
 Contact Plating
 G0:Gold Flash
 G1:3U" Gold
 G2:5U" Gold
 G3:10U" Gold
 G4:15U" Gold
 S0:1.5U" Gold/Tin
 S1:3U" Gold/Tin
 Insulator Material
 Option
 D=BK-PA46
 E=BK-PA9T
 F=BK-LCP
 Packing
 T:Tube
 R:Reel

P.C.B Layout

OPERATION		DRAW	yiyusheng	20.09.03	SCALE	FIT
X.X	± 0.30					
X.XX	± 0.20	CHECK				
X.XXX	± 0.10					
Angle	$\pm 3'$	APPROVE				
DIM	TOL					

JILN® 深圳市锦凌电子有限公司
 SHENZHEN JINLING ELECTRONICS CO.,LTD
 Tel: 86-755-27483253 Fax: 86-755-2997-5992

REV	DATE	MODIFICATION DESCRIPTION	CHANGE
A0	2020.09.03	NEW DRAWING	

PART NO.	3724MXXX043XXFX01
TITLE:	0.635mm 浮动式BTB NPin H4.28 Male