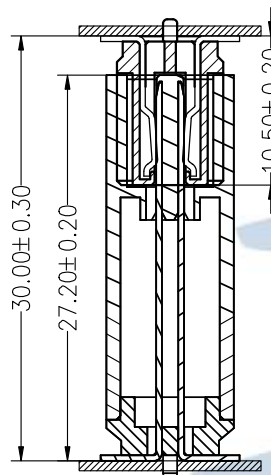


HSF RoHS

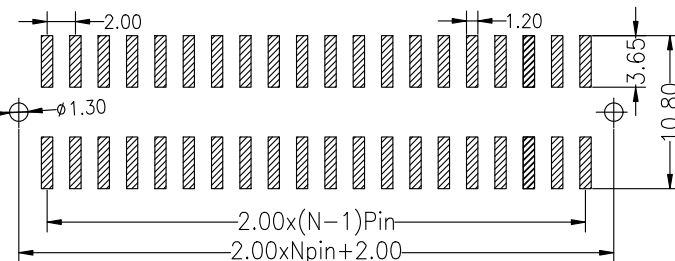
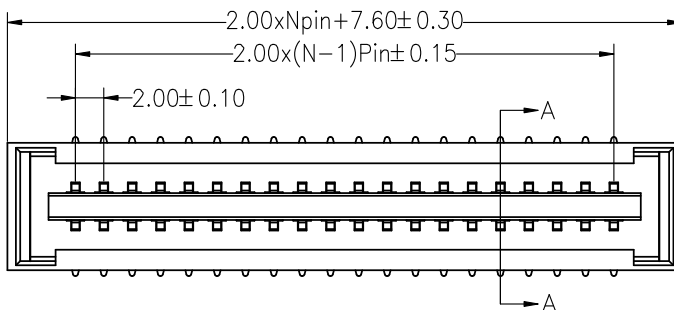
SPECIFICATIONS

Rated Current: 3.0AMP
 Contact Resistance: 20mΩ Max
 Withstand Voltage: 1000V AC/DC
 Insulation Resistance: 1000MΩ Min
 Operation Temperature: -40°C to +105°C

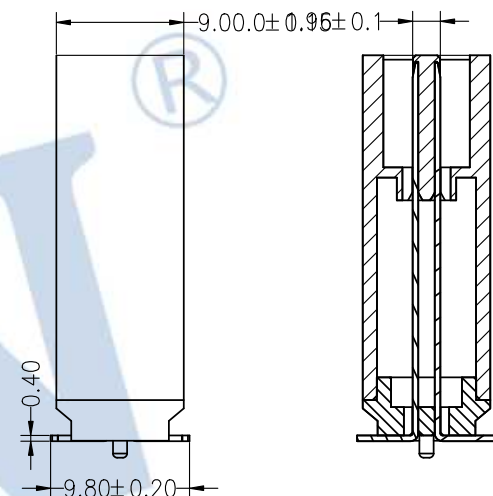
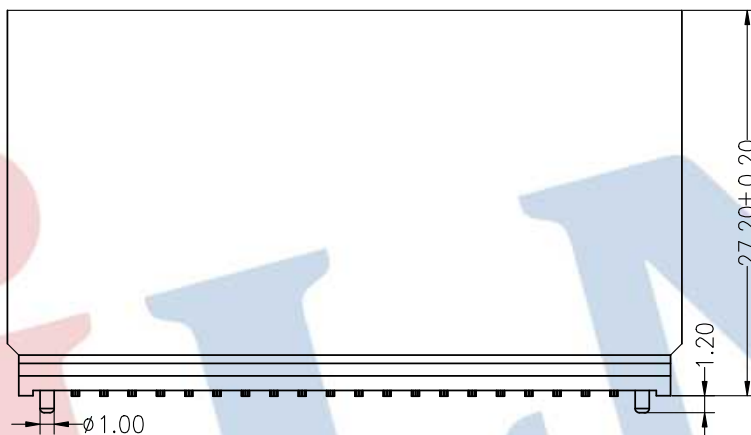
Contact Material: Phosphor bronze
 Contact Plating: Au or Sn Over Ni
 Insulator Material: Polyester (UL94V-0)
 Resistance To Soldering Heat:
 260°C ± 5°C, 10s (PA9T insulator)



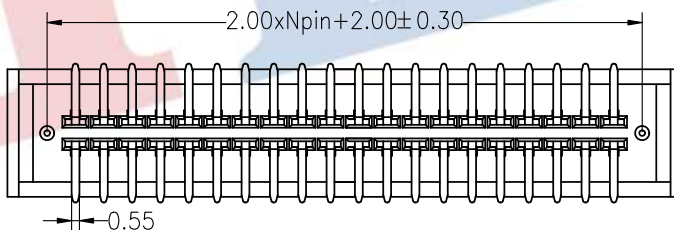
Mating Draw (Ref)



Recommended P.C.B Layout



A-A SECTION



Ordering Information

4410- 2 XX M XX M E B W 0 X

No. of Pins
 2x13P
 2x16P
 2x20P
 2x27P

Contact Plating
 G0: Gold Flash
 G1: 1U" Gold
 G2: 2U" Gold
 G3: 3U" Gold
 G4: 5U" Gold
 G5: 10U" Gold

REV	DATE	MODIFICATION DESCRIPTION	CHANGE	OPERATION		DRAW	yiyusheng	20.03.19	SCALE	FIT
				DIM	TOL					
B	2020.03.19	长度两边各加胶0.8		X.X	± 0.30	CHECK			UNIT	mm
A	2019.07.09	NEW DRAWING		X.XXX	± 0.10				SHEET	1/1
				Angle	± 3°				APPROVE	
									PROJ.	

JILN 深圳市锦凌电子有限公司
 SHENZHEN JINLING ELECTRONICS CO.,LTD

Tel: 86-755-27483253 Fax: 86-755-2997-5588

PART NO. 4410-2XXMXXMEBW0X

TITLE: 2.0加强型金手指连接器 公座 2xNpin H27.2 SMT 带柱