

# HSF RoHS

## SPECIFICATIONS

Rated Current: 2.0AMP

Contact Resistance: 20mΩ Max

Withstand Voltage: 500V AC/DC

Insulation Resistance: 500MΩ Min

Operation Temperature: -40°C to +105°C

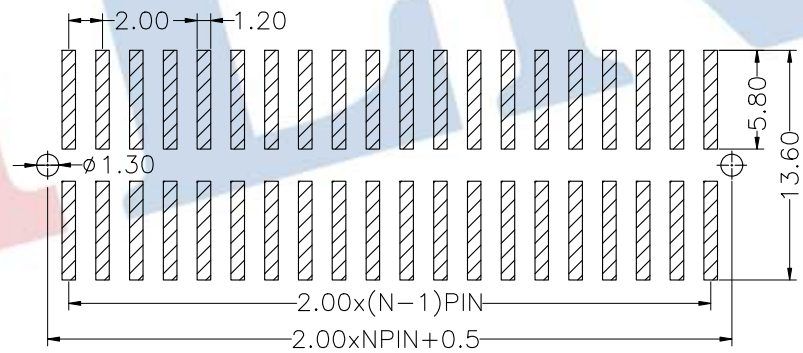
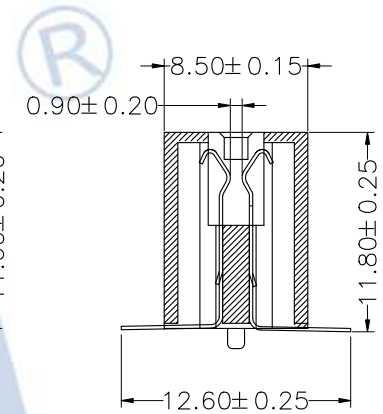
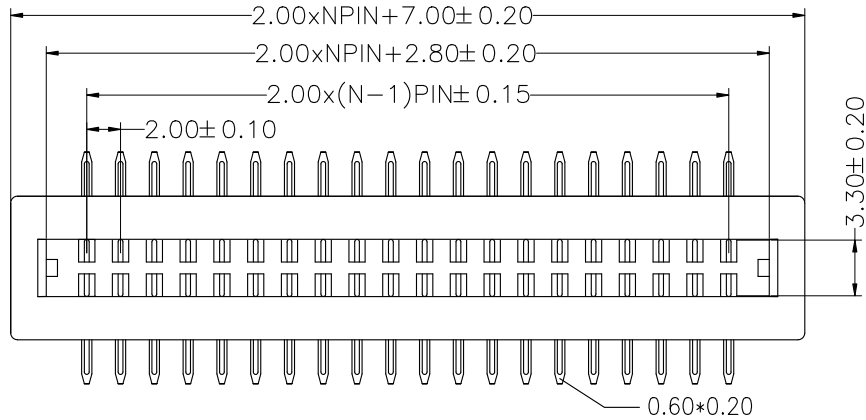
Contact Material: Phosphor bronze

Contact Plating: Au or Sn Over Ni

Insulator Material: Polyester (UL94V-0)

Resistance To Soldering Heat:

260°C ± 5°C, 10s (PA9T insulator)



Recommended P.C.B Layout (Top Side)

## Ordering Information

4400- 2 XX M XX F E B W 0 X

No. of Pins  
2x04P  
2x13P  
2x15P  
2x20P  
2x23P  
2x25P

Contact Plating  
G0: Gold Flash  
G1: 1U" Gold  
G2: 2U" Gold  
G3: 3U" Gold  
G4: 5U" Gold  
G5: 10U" Gold

				OPERATION		DRAW	yiyusheng	16.08.09	SCALE	FIT	<b>JILN</b> ® 深圳市锦凌电子有限公司 SHENZHEN JINLING ELECTRONICS CO.,LTD Tel: 86-755-27483253 Fax: 86-755-2997-5588		
				X.X	±0.30				UNIT	mm			
				X.XX	±0.20	CHECK	SIZE	A4	PART NO.	4400-2XXMXXFEBW0X			
				X.XXX	±0.10	APPROVE	SHEET	1/1	TITLE:	2.0金手指连接器 2xNP 母座H11.6 SMT 带柱			
REV	DATE	MODIFICATION DESCRIPTION	CHANGE	DIM	TOL			PROJ.					