

HSF RoHS

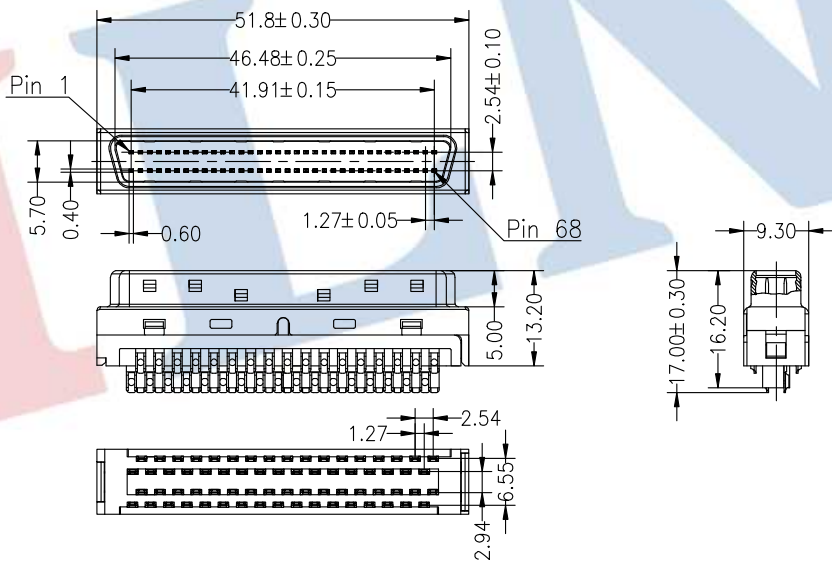
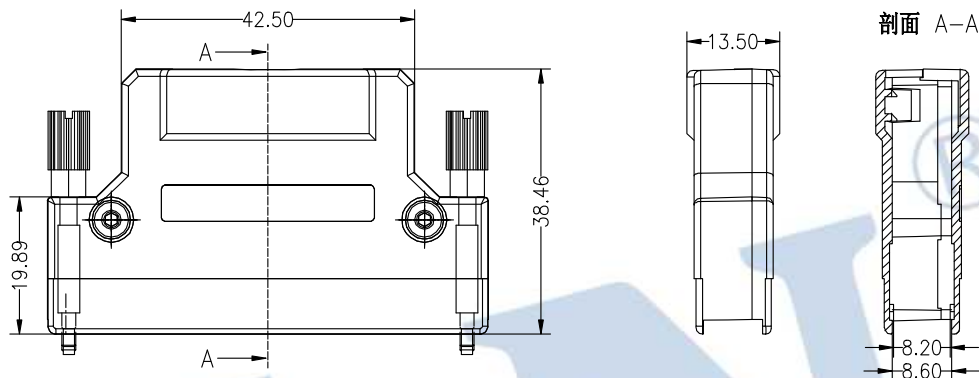
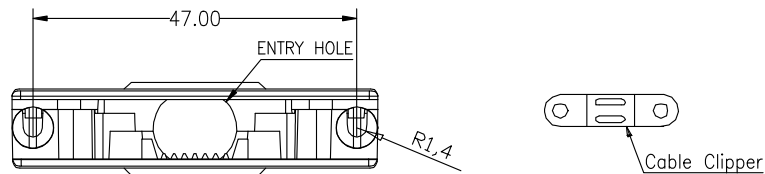
SPECIFICATIONS

FEATURES:

- Round cable angled exit 180°
- Strain Relief Staple With Spring latches
- Back Shell Desing by Die-Cast
- Excellent EMI/RFI protection

MATERIALS:

- Back Shell: Zinc plated nickel over copper
- Spring latches: phosphor bronze over nickel
- Screw: steel nickel plated over copper
- Cable Clipper: steel nickel plated



Ordering Information

6330 - M 068 S S XX M N A O X

No. of Pins
68P

Connector Type
S=Solder Type

Contact Plating
G0: Gold Flash
S0: Gold Flash/Tin
S1: 30µ Gold /Tin
S2: 50µ Gold /Tin
S3: 100µ Gold /Tin
S4: 150µ Gold /Tin
S5: 300µ Gold /Tin

OPERATION

| | |
|-------|-------|
| X.X | ±0.30 |
| X.XX | ±0.20 |
| X.XXX | ±0.10 |
| Angle | ±3° |
| DIM | TOL |

DRAW

YiYuSheng

CHECK

APPROVE

16.08.03

SCALE

UNIT

SIZE

SHEET

PROJ.

FIT

mm

A4

1/1

PROJ.

JILN® 深圳市锦凌电子有限公司
SHENZHEN JINLING ELECTRONICS CO.,LTD

Tel: 86-755-27483253 Fax: 86-755-2997-5588

PART NO.

6330-M068SSXXMNAOX

TITLE:

HALF PITCH RIBBON CONNECTOR
SCSI 68P DB-Type Male 180° 出线 锌合金外壳螺杆式

REV A

DATE 2016.08.03

MODIFICATION DESCRIPTION NEW DRAWING

CHANGE

1

2

3

4

5

6

7

8

9