

HSF RoHS

SPECIFICATIONS

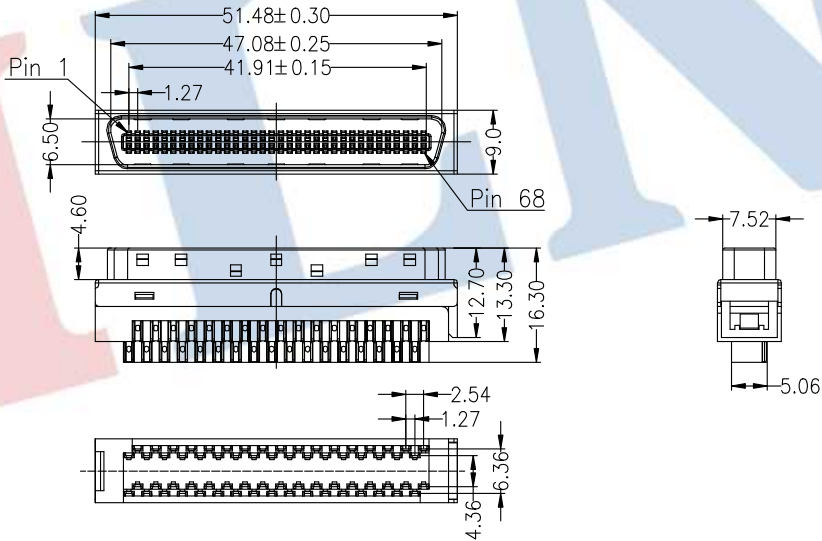
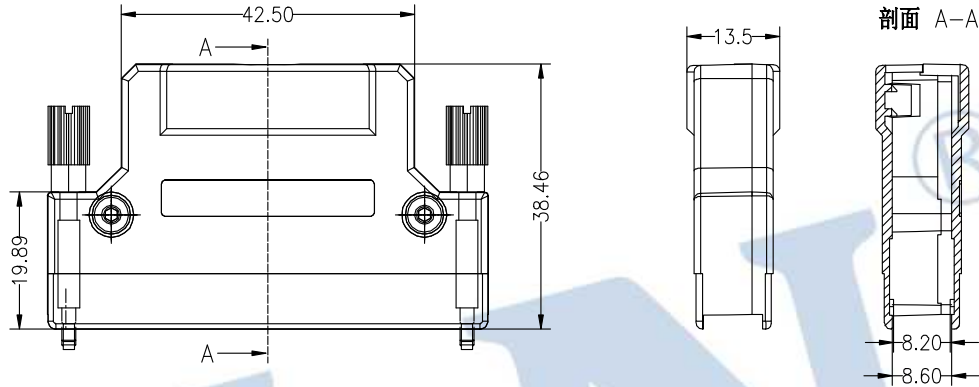
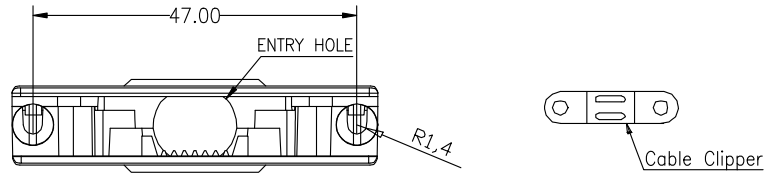
FEATURES:

Round cable angled exit 180°
 Strain Relief Staple With Spring latches
 Back Shell Desing by Die-Cast

Excellent EMI/RFI protection

MATERIALS:

Back Shell: Zinc plated nickel over copper
 Spring latches: phosphor bronze over nickel
 Screw: steel nickel plated over copper
 Cable Clipper: steel nickel plated



Ordering Information

6330 M 068 S S XX M NA 0X

No. of Pins
68P

Connector Type
S=Solder Type

Contact Plating
G0:Gold Flash

S0:3U" Gold /Tin
 S2:5U" Gold /Tin
 S3:10U" Gold /Tin
 S4:15U" Gold /Tin
 S5:30U" Gold /Tin

				OPERATION		DRAW	YiYuSheng	16.08.03	SCALE	FIT	JILN ® 深圳市锦凌电子有限公司 SHENZHEN JINLING ELECTRONICS CO.,LTD Tel: 86-755-27483253 Fax: 86-755-2997-5588	
				X.X	±0.30				UNIT	mm		
				X.XX	±0.20				SIZE	A4		
				X.XXX	±0.10				SHEET	1/1		
A	2016.08.03	NEW DRAWING		Angle	±3°	APPROVE				PART NO.	6330-M068SSXXMNA0X	
REV	DATE	MODIFICATION DESCRIPTION		DIM	TOL					TITLE:	HALF PITCH RIBBON CONNECTOR SCSI 68P CN-Type Male 180° 出线 锌合金外壳螺杆式	
1	2	3	4	5	6	7	8	9				