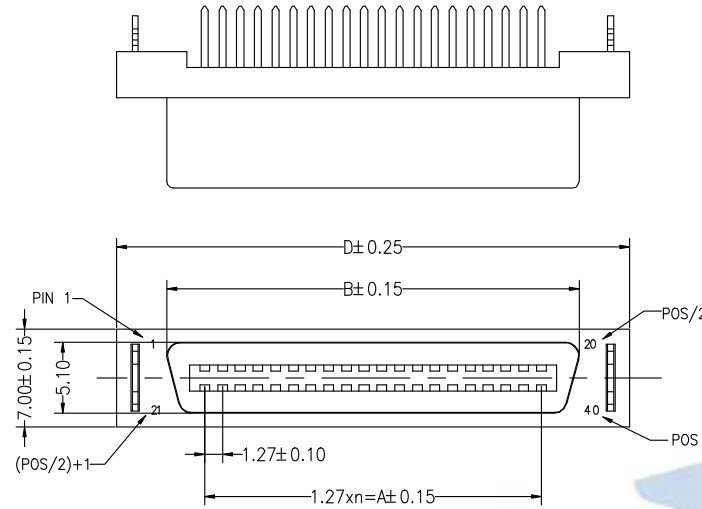


HSF RoHS

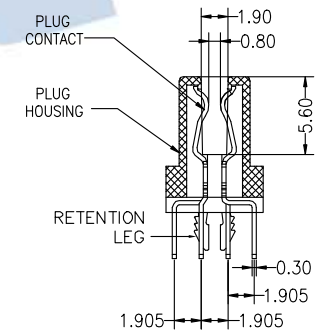
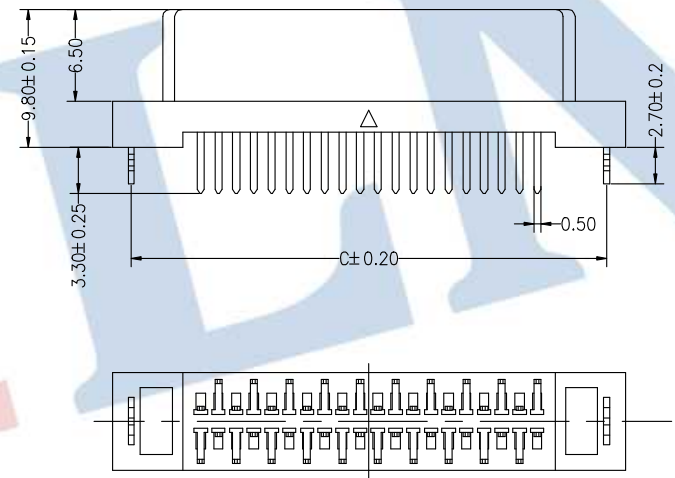
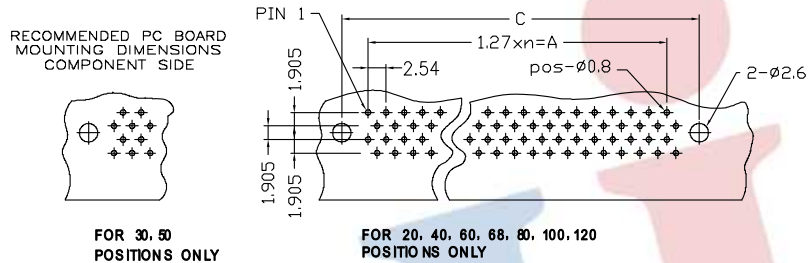
SPECIFICATIONS

Rated Current:1.0AMP
 Contact Resistance:35mΩ Max
 Withstand Voltage:500V AC/DC
 Insulation Resistance:500MΩ Min
 Operation Temperature:-40°C to +105°C

Contact Material:Phosphor bronze
 Boardlocks:Brass
 Contact Plating:Au or Sn Over Ni
 Insulator Material:Polyester(UL94V-0)
 Resistance To Soldering Heat:
 260° C±5° C, 10s(LCP insulator)



120	74.93	80.30	84.90	87.55	59
100	62.23	67.60	72.20	74.85	49
80	49.53	54.90	59.50	62.13	39
68	41.91	47.28	51.88	54.53	33
60	36.83	42.20	46.80	49.45	29
50	30.48	35.85	40.45	43.10	24
40	24.13	29.50	34.10	36.70	19
30	17.78	23.15	27.75	30.35	14
20	11.43	16.80	21.40	24.00	9
POS	A	B	C	D	n



Ordering Information

6314 F XXX S D XX P N A 0 X

No.of Pins: 20,30,40,50, 60,68,80,100,120P
 Connector Type S: Straight
 Contact Plating: G0: Gold Flash, S0: Gold Flash/Tin, S2: 3U" Gold /Tin, S3: 5U" Gold /Tin, S4: 10U" Gold /Tin, S5: 15U" Gold /Tin, S6: 30U" Gold /Tin
 code stream 01~99

FOR 30.50 POS

FOR 20. 40. 60. 68. 80. 100. 120 POS

				OPERATION		DRAW	Yiyusheng	18.07.19	SCALE	FIT	PART NO. 6314FXXXSDXXPNA0X	
				X.X	±0.30				UNIT	mm		
				X.XX	±0.20	CHECK			SIZE	A4	TITLE: SCSI Female NPin All-Plastic 180°	
A0	2018.07.19	NEW DRAWING		X.XXX	±0.10				SHEET	1/1		
REV	DATE	MODIFICATION DESCRIPTION		CHANGE	DIM	TOL	APPROVE	PROJ.				