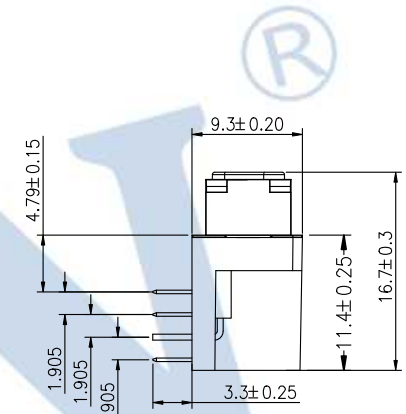
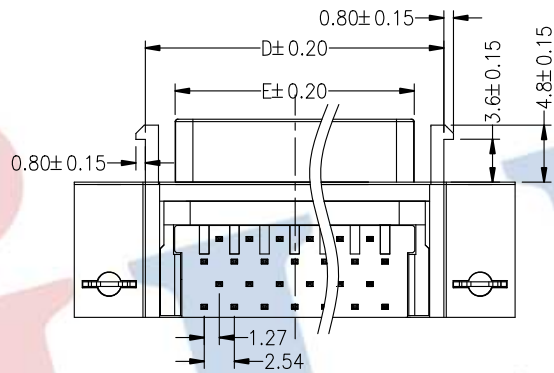
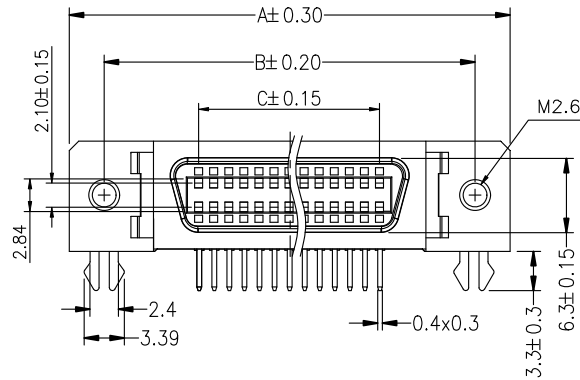


HSF RoHS

SPECIFICATIONS

Housing: Thermoplastic,PBT,UL94V-0
 Color: Black
 Contact:Copper Alloy
 Shell:Zinc Alloy
 Voltage Current Rating:1.0AMP.250V AC
 Insulation Resistance:500MΩ Min.
 Contact Resistance:30mΩ Max.
 Dielectric Withstanding Voltage:500V AC
 Temperature Range:-40°C to +105°C



No. of Pin	DIMENSIONS				
	A	B	C	D	E
14	29.54	23.64	7.62	17.54	12.54
20	33.35	27.45	11.43	21.35	16.35
26	37.16	31.26	15.24	25.16	20.16
36	43.51	37.61	21.59	31.51	26.51
50	52.40	46.50	30.48	40.40	35.40

Ordering Information

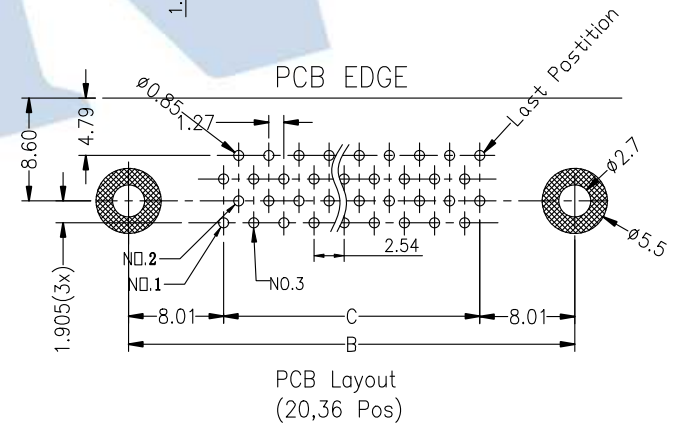
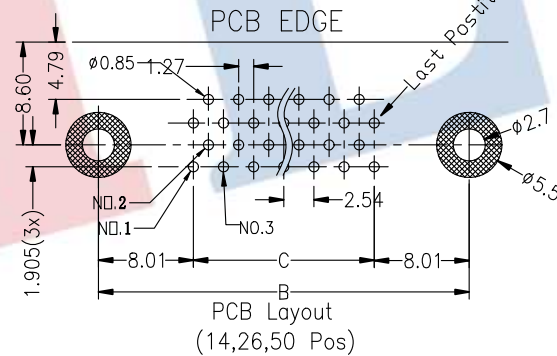
6313 F XXX R D XX MNT 0X

No. of Pins
14,20,26,36,
50,68P,100P

Connector Type
R=Right Angle

Contact Plating
G0:Gold Flash
S0:Gold Flash/Tin
S1:3U" Gold /Tin
S2:5U" Gold /Tin
S3:10U" Gold /Tin
S4:15U" Gold /Tin
S5:30U" Gold /Tin

流水码



				OPERATION		DRAW	Yiyusheng	2019.03.01	SCALE	FIT	JILN ® 深圳市锦凌电子有限公司 SHENZHEN JINLING ELECTRONICS CO.,LTD Tel: 86-755-27483523 Fax: 86-755-2997-5588	
				x.x	±0.30				UNIT	mm		
				x.xx	±0.20	CHECK			SICE	A4	PART NO. 6313FOXXRDXXMNT0X	
				x.xxx	±0.10		SHEET	1/1				
A0	2019.03.01			Angle	±3°	APPROVE			PROJ	⊕	TITLE: SCS1-CA型 NPin 母座 90度 锌合金壳 横向鱼叉	
REV	DATE			DIM	TOL							