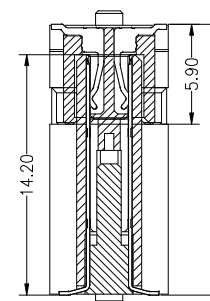
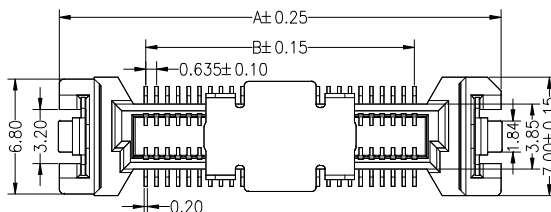


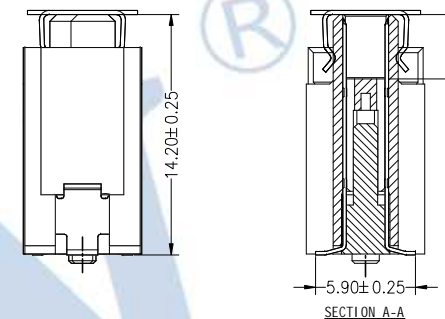
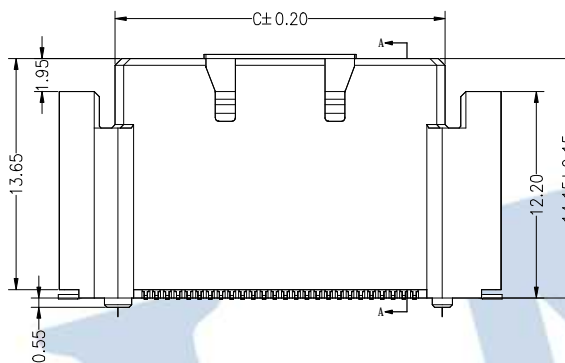
**HSF** RoHS

SPECIFICATIONS  
PERFORMANCE

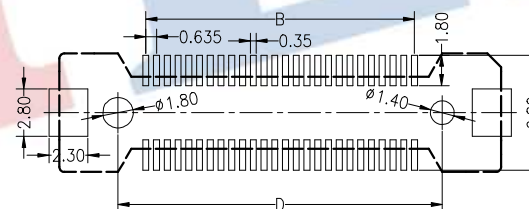
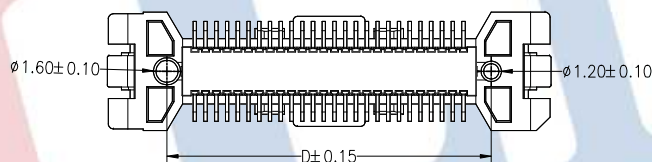
Electical Rating: AC/DC 50V 0.5A  
 Insulation Resistance: 500MΩ  
 Withstang Volt: 200V AC/minute  
 Opratng Temperature: -40°C to +105°C  
 Material  
 Contact: Phosphor Bronze  
 Plating: Au or Sn Over Ni  
 Housing: LCP  
 Max.Processing Temp: 260°C±5° 5S



MATING DRAWING (REF)



SECTION A-A



P.C.B Layout

### Ordering Information

3722 F XXX 142 XX X X 0X

F=Female  
M=Male  
No.of pins  
30,40,  
50,52P  
Plastic Hight  
142=14.2mm  
Contact Plating  
G0:Gold Flash  
G1:3U" Gold  
G2:5U" Gold  
G3:10U" Gold  
G4:15U" Gold  
S0:1.5U" Gold/Tin  
S1:3U" Gold/Tin  
Insulator  
Material  
Option  
D=BK-PA46  
E=BK-PA9T  
F=BK-LCP  
Packing  
T:Tube  
R:Reel

No Of Pins	Dimensions (mm)			
	A	B	C	D
30	19.12	8.89	12.52	12.18
40	22.29	12.07	15.69	15.35
50	25.47	15.24	18.87	18.53
52	26.10	15.88	19.50	19.16

OPERATION		DRAW	Jelly Feng	2022.12.17	SCALE	FIT
X.X	±0.30					
X.XX	±0.20	CHECK				
X.XXX	±0.10					
Angle	±3°	APPROVE				
DIM	TOL					

**JILN** 深圳市锦凌电子有限公司  
 SHENZHEN JINLING ELECTRONICS CO.,LTD  
 Tel : 86-755-2997-5806/5802 Fax: 86-755-2997-5992

A0	2022.12.17	NEW DRAWING	
REV	DATE	MODIFICATION DESCRIPTION	CHANGE
1	2	3	4

PART NO. 3722FXXX142XXXX0X  
 TITLE: 0.635mm BTB NPin H14.2 Female (PLC专用)