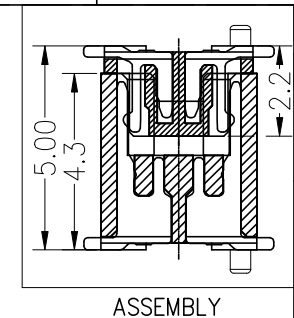
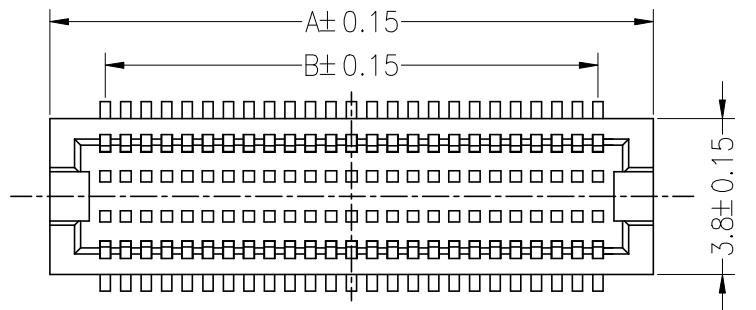


HSF RoHS

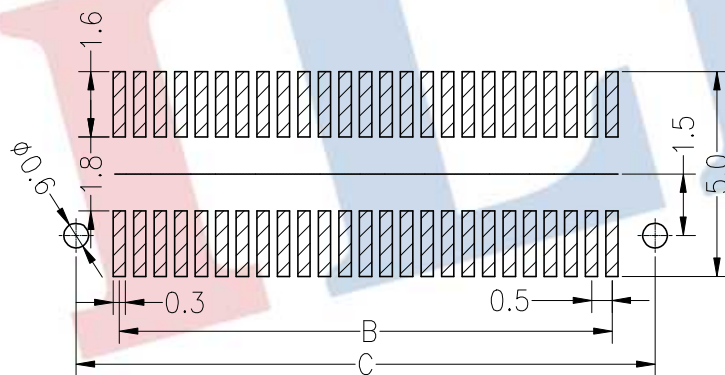
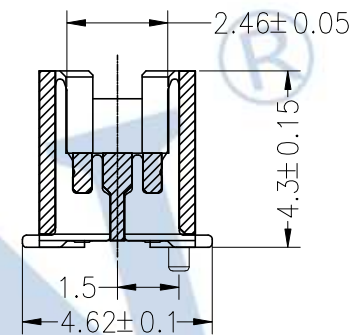
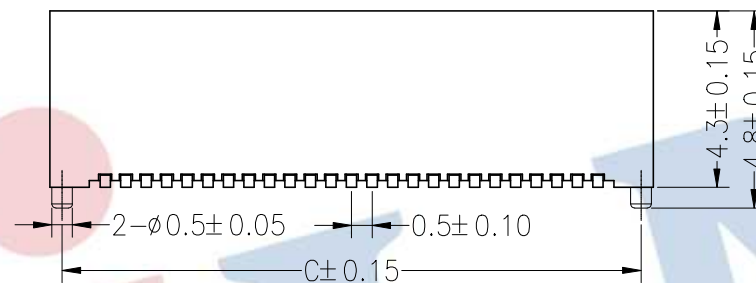
SPECIFICATIONS

PERFORMANCE

Current rating: 0.5A
 Voltage rating: 50V DC/AC RMS
 Insulation Resistance: 500MΩ Min
 Withstanding voltage: 200V AC/1 minute
 Contact Resistance: 30mΩ Max
 Operating Temperature: -40°C to +105°C
 Contact Material: Phosphor Bronze
 Contact Plating: Au or Sn over Ni
 Insulation Material: PA46, UL94V-0
 Soldering temperature: 260°C±5° 5S



ASSEMBLY



Recommended P.C.B Layout(Top Side)
 (PCB BOARD TOLERANCE±0.05)

| NO. OF Contacts | Dimensions | | |
|-----------------|------------|-------|-------|
| | A | B | C |
| 20pin | 7.20 | 4.50 | 6.60 |
| 30pin | 9.70 | 7.00 | 9.10 |
| 32pin | 10.20 | 7.50 | 10.10 |
| 36pin | 11.20 | 8.50 | 10.60 |
| 40pin | 12.20 | 9.50 | 11.60 |
| 50pin | 14.70 | 12.00 | 12.10 |
| 60pin | 17.20 | 14.50 | 14.10 |
| 80pin | 22.20 | 19.50 | 16.60 |
| 100pin | 27.20 | 24.50 | 21.60 |

Ordering Information

3720 F XXX 043 XX X X 0X

F=Female M=Male No. of pins 20~100P Plastic Height 043=4.3mm Contact G0:Gold Flash G1:31μ Gold G2:51μ Gold G3:101μ Gold G4:151μ Gold G5:301μ Gold S0:Gold Flash/Tin Plating G0:Gold Flash G1:31μ Gold G2:51μ Gold G3:101μ Gold G4:151μ Gold G5:301μ Gold Insulator Material G0:PA46 G1:PA46 G2:PA46 G3:PA46 G4:PA46 G5:PA46 Packing T=Tube R=Reel code string 01~99

| | | | | | | | | | | | | |
|-----|------------|--------------------------|---|-----------|-------|---------|------------|-------------------------|-------|-----|---|--|
| | | | | OPERATION | | DRAW | Jelly Feng | 22.07.02 | SCALE | FIT | JILN ® 深圳市锦凌电子有限公司 SHENZHEN JINLING ELECTRONICS CO.,LTD Tel: 86-755-2997-5806/5802 Fax: 86-755-2997-5992 | |
| | | | | X.X | ±0.30 | | | | | | | |
| | | | | X.XX | ±0.20 | APPROVE | SIZE | A4 | | | | |
| | | | | X.XXX | ±0.10 | | PART NO. | 3720FXXX043XXXX0X | | | | |
| A0 | 2022.07.02 | NEW DRAWING | | Angle | ±3° | TITLE: | | 0.5BTB NPin H4.3 Female | | | | |
| REV | DATE | MODIFICATION DESCRIPTION | | DIM | TOL | | PROJ. | | | | | |
| 1 | 2 | 3 | 4 | 5 | 6 | 7 | 8 | 9 | | | | |