

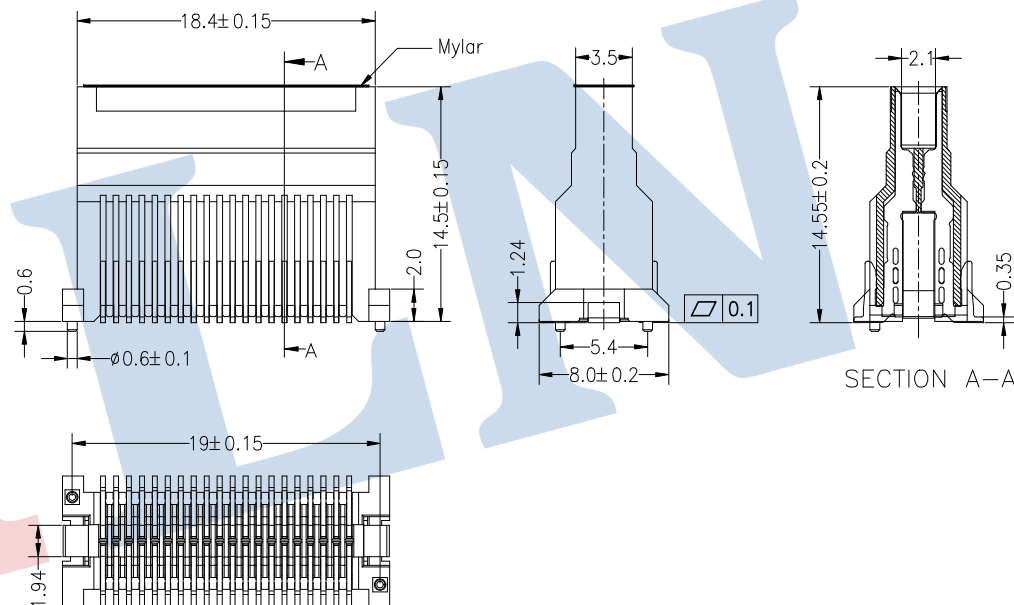
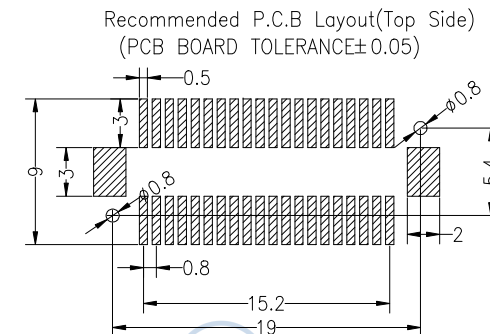
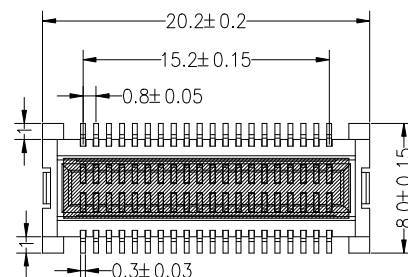
**HSF RoHS**

SPECIFICATIONS  
PERFORMANCE

Electical Rating: AC/DC 50V 0.8A  
Contact Resistance: 80mΩ Max  
Insulation Resistance: 500MΩ Min  
Withstang Volt: 500V AC/minute  
Opratng Temperature: -40°C to +125°C

Material

Contact: Brass, Gold-Plated  
Locating Plate: Phosphor bronze, Sn Over Ni  
Housing: LCP UL94V0  
Max.Processing Temp: 260°C±5°C 5S



**Ordering Information**

**3725 M 040 145 XX F X 0X**

F=Female  
M=Male  
No.of pins  
2x20P  
Plastic Hight  
145=14.5mm  
Contact Plating  
G0:Gold Flash  
G1:3U" Gold  
G2:5U" Gold  
G3:10U" Gold  
G4:15U" Gold  
S0:1.5U" Gold/Tin  
S1:3U" Gold/Tin  
Insulator  
Material  
Option  
D=BK-PA46  
E=BK-PA9T  
F=BK-LCP  
Packing  
T:Tube  
R:Reel

		OPERATION		DRAW	Jelly Feng	22.08.17	SCALE	FIT	<b>JILN</b> ® 深圳市锦凌电子有限公司 SHENZHEN JINLING ELECTRONICS CO.,LTD Tel: 86-755-2997-5806/5802 Fax: 86-755-2997-5992		
		X.X	±0.30				UNIT	mm			
		X.XX	±0.20	CHECK			SIZE	A4	PART NO.	3725M040145XXFX0X	
		X.XXX	±0.10		APPROVE			SHEET	1/1	TITLE:	0.80mm 浮动式BTB 40Pin H14.5 Male
ANGLE	±3°					PROJ.					
DIM	TOL										

A0	2022.08.17	NEW DRAWING	
REV	DATE	MODIFICATION DESCRIPTION	CHANGE