

REVISION RECORD				
REV	ECN	DESCRIPTION	DRFT	DATE
A0		NEW		21.07.15

NOTES1:

UL Standard

1. Rated voltage/current : 300V / 15A
2. Withstanding voltage : AC1600V/1Min.
3. Torque value : M3 , 4.43Lb.in
4. Wire range : 28~12AWG

IEC Standard

1. Pollution degree	2
Overvoltage category	III
Rate impulse voltage(KV)	4KV
Rate voltage(V)	320V
Rate current(A)	20A

2. Torque value : M3 , 0.5N·m
3. Wire range : 0.2~2.5mm²

NOTES2:

1. Dimension shall be interpreted per ASME Y14.5-2009
2. Pitch : 5.00mm, Poles : N=02~22P
3. Stripping length : 7~8mm
4. Operating temperature: -40°C~+105°C
5. Undimensioned tolerances:

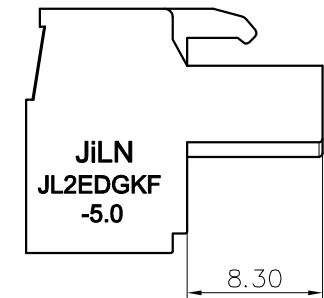
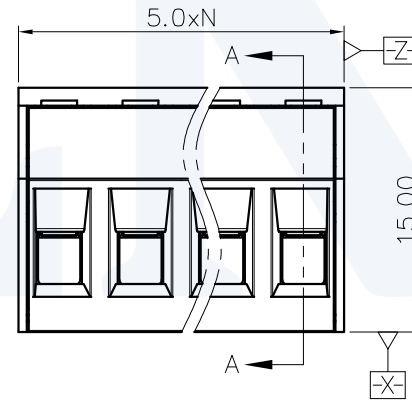
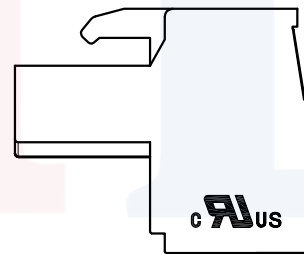
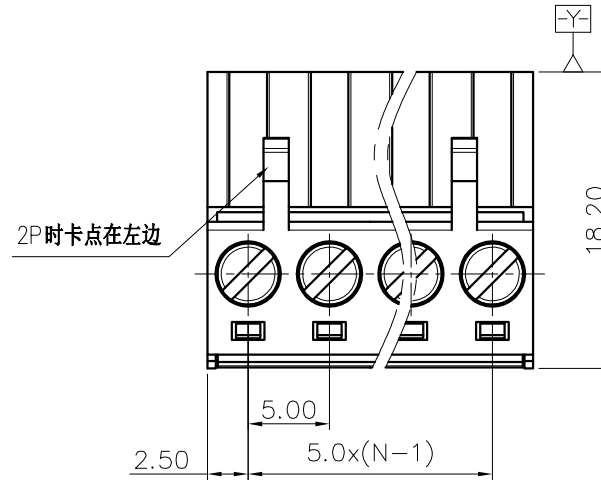
Pitch range in mm		Nominal dimension range in mm							-	∩	∇
TO	Over	TO	Over	TO	Over	TO	Over				
6	10	10	24	30	60	100	150				
±0.15	±0.20	±0.30	±0.30	±0.50	±0.70	±1.00	±1.30	±2'			

6. RoHS Compliance

Ordering Information

JL2EDGKF- 500 XX G 0 1

Pitch 500=5.00PH	No.of pins 2P~24P	Housing Color B=Black G=Green U=Blue R=Red W=White Y=Yellow O=Orange E=Grey	Packing 0=Pe bag T=Tube A=Tray
---------------------	----------------------	---	---



DRAW	SHUANGPING ZHENG	SCALE	FIT	JILN ® 东莞市锦凌电子有限公司 DONGGUAN JINLING ELECTRONIC CO.,LTD	
CHECK	LICHAD LIU	UNIT	mm		
APPROVE	YONGLIANG GAO	SIZE	A4	PART NO.	JL2EDGKF-500XXG01
		SHEET	1/1	TITLE:	JL2EDGKF-5.0-XXP 插拔式母座/PA66/绿色
		PROJ.			