

REVISION RECORD				
REV	ECN	DESCRIPTION	DRFT	DATE
A0		NEW		21.06.10

**NOTES1:**

UL Standard

- 1.Rated voltage/current : 300V / 15A
- 2.Withstanding voltage : AC1600V/1Min.

IEC Standard

1. Pollution degree	2	2	3
Overtoltage category	<b>II</b>	<b>III</b>	<b>III</b>
Rate impulse voltage(KV)	4KV	4KV	4KV
Rate voltage(V)	630V	320V	320V
Rate current(A)	20A		

**NOTES2:**

- 1.Dimension shall be interpreted per ASME Y14.5-2009
- 2.Pitch : 5.00mm, Poles : N=02~24P
- 3.Operating temperature:-40°C~+105°C
- 4.Undimensioned tolerances:

Pitch range in mm		Nominal dimension range in mm						0.1/10
TO	Over	TO	Over	TO	Over	TO	Over	
6	6 TO 10	30	30 TO 60	60	60 TO 100	100	100 TO 150	±2'
	±0.15±0.20	±0.30	±0.30	±0.50	±0.70	±1.00	±1.30	

5.RoHS Compliance

## Ordering Information

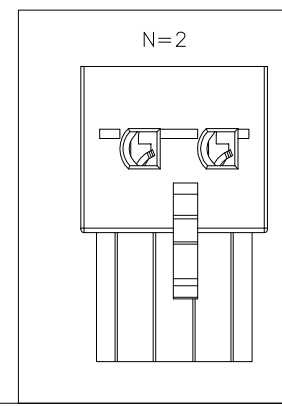
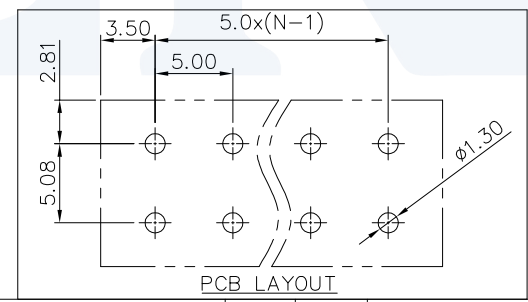
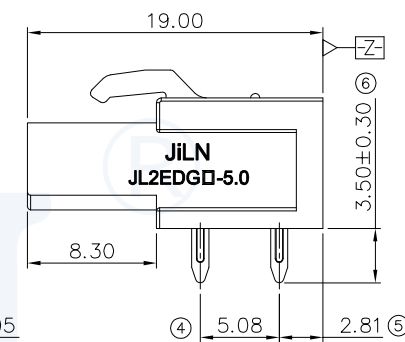
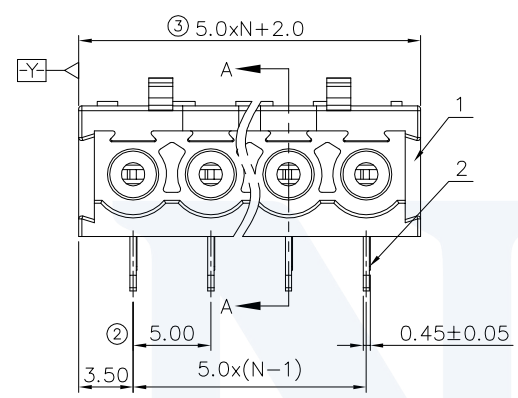
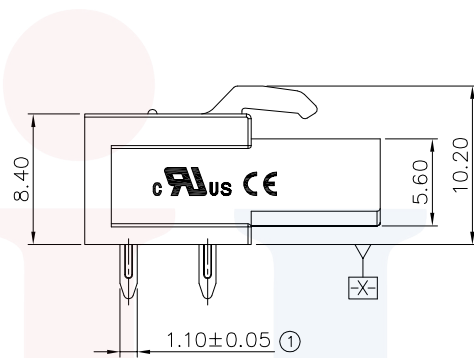
**JL2EDGA - 500 XX G 0 1**

Pitch  
500=5.00PH

No.of pins  
2P,3P,4P~12P

Housing Color  
B=Black  
G=Green  
U=Blue  
R=Red  
W=White  
Y=Yellow  
O=Orange  
E=Grey

Packing  
0=Pe bag  
T=Tube  
A=Tray



DRAW	SHUANGPING ZHENG	SCALE	FIT	<b>东莞市锦凌电子有限公司</b> DONGGUAN JINLING ELECTRONIC CO.,LTD	
		UNIT	mm		
CHECK	LICHAD LIU	SIZE	A4		
		SHEET	1/1		
APPROVE	YONGLIANG GAO	PROJ.		PART NO.	JL2EDGA-500XXG01
				TITLE:	JL2EDGA-5.0-XXP插拔式母座/弯脚/绿色